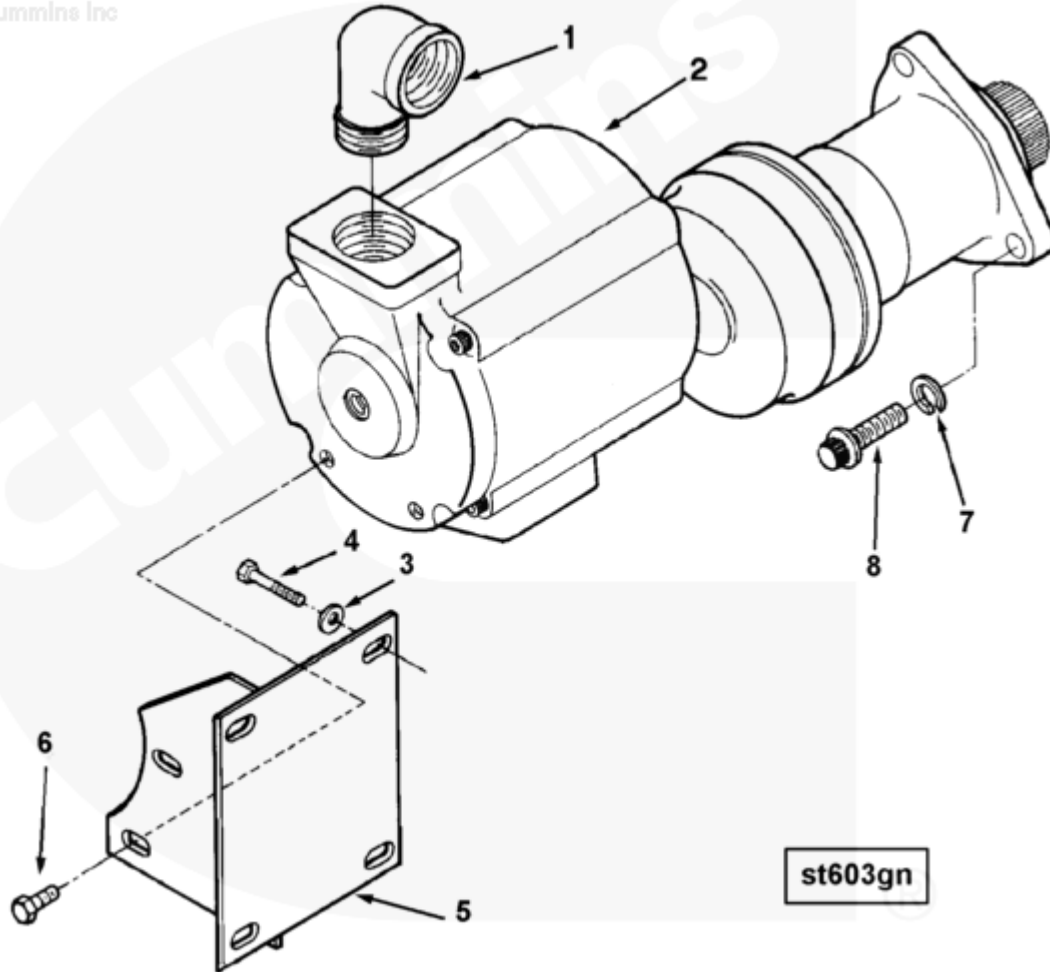




Parts Catalog - Option Detail

Electronic Parts Catalog - Option Detail				
Option	Group	Graphic	Film Card	Date
ST6016-02	13.06	st603gn	K38	26-MAY-98
Engines	GTA38, K38, KTA38GC CM558, QSK38 CM2150 K106, QSK38 CM2150 MCRS, QSK38 CM850 MCRS			

©Cummins Inc



[SMALL](#) | [MEDIUM](#) | [LARGE](#)

Cart	Ref No	Part Number	Part Description	Required	Remarks
View My Cart					
		ST6016-02	Air Starter		Ingersoll Rand air starter...(More)
					model SS815 (positive
					engagement type). Option
					includes support bracket

					mounted. For SAE no. '0'
					housing located in lower
					starter pad on right bank
					side of engine.
<input type="checkbox"/>	1	3026796	Plain Street Pipe Elbow	1	
<input type="checkbox"/>	2	3026797	Air Starting Motor	1	
<input type="checkbox"/>	3	108330	Plain Washer	4	3/8 in.
<input type="checkbox"/>	4	136574	Hexagon Head Cap Screw	4	3/8 - 16 X 1 1/4 Inch.
<input type="checkbox"/>	5	3026802	Starting Motor Brace	1	
<input type="checkbox"/>	6	3036230	Hexagon Head Cap Screw	2	M10 x 1.50 x 20
<input type="checkbox"/>	7	S 603	Lock Washer	3	5/8 in.
<input type="checkbox"/>	8	158250	Twelve Point Cap Screw	3	5/8 - 11 X 1 3/4 Inch.

© 2019 Cummins Inc., Box 3005, Columbus, IN 47202-3005 U.S.A.
Terms of Use and Disclaimers | Recommended System Requirements
Need Assistance? Please click on the Contact Us button in the top right corner of any page.